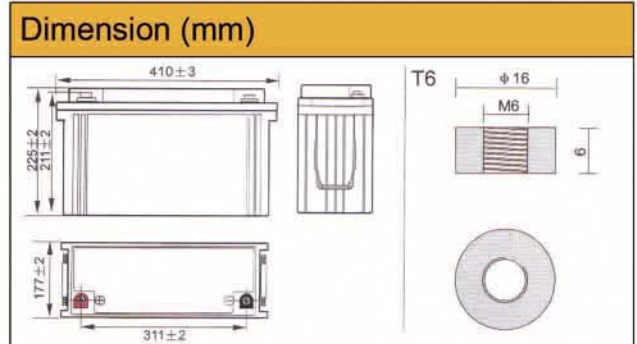




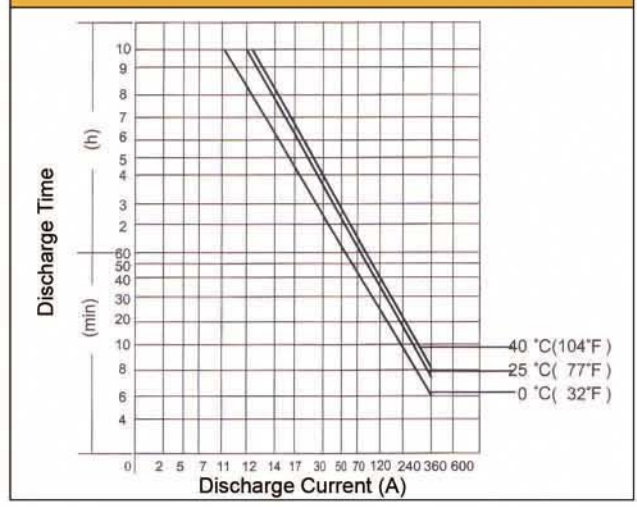
valve regulated
sealed lead acid type
rechargeable battery

sunbattery

SB 12-120 (12V 120Ah)

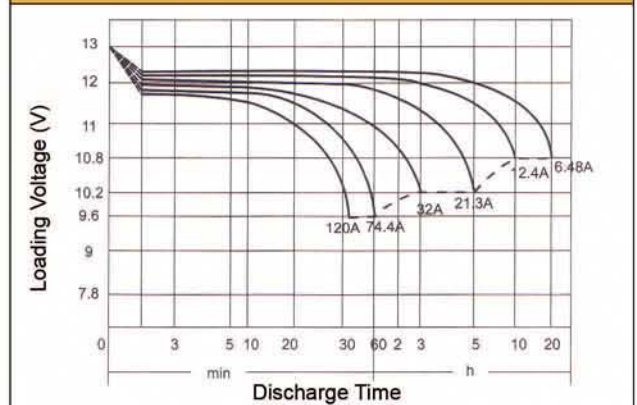


Discharging Current & Discharge Duration Time



Physical Specification		
Nominal Voltage Nominal Capacity (10HR)		12V 124AH
Dimension	Length	410 ± 3mm (16.14 inches)
	Width	177 ± 2mm (6.97 inches)
	Container Height	225 ± 2mm (8.86 inches)
	Total Height (with Cover)	225 ± 2mm (8.86 inches)
Weight		Approx 37.6kg (82.96lbs)
Standard Terminal		Threaded Insert 6mm STUD

Discharge Characteristics (25° C, 77°F)



Electrical Specification					
Rated Capacity	20 hour rate (6.48A)	129AH	Constant-Voltage Charge	Cycle	Initial Charging Current less than 36A. Voltage 14.4 V- 15.0 V at 25°C (77°F) Temp. Coefficient -30mV/°C
	10 hour rate (12.4A)	124AH			
	5 hour rate (21.3A)	106.5AH			
	3 hour rate (32.0A)	96.0AH			
Capacity affected by Temperature	40°C (104°F)	103%	Standby	No limit on Initial Charging Current Voltage 13.5 V~13.8 V at 25°C (77°F) Temp. Coefficient -20mV/°C	
	25°C (77°F)	100%			
	0°C (32°F)	86%			

Constant Current (Amp) and Constant Power (Watt) Discharge Table (25°C, 77°F)

Amp Watt/Cell	Time(Minute)	10	15	20	30	45	60	120	180	240	300	360	480	600	1200
	Final Voltage	1.3	1.3	1.3	1.6	1.6	1.67	1.7	1.75	1.75	1.75	1.75	1.8	1.8	1.8
A / Batt		310.0	235.6	186.0	142.6	99.2	74.4	43.4	32.0	24.8	21.3	18.8	14.8	12.4	6.48
W / Cell		582.8	446.4	364.6	269.1	197.2	147.3	86.3	64.0	49.5	42.5	37.7	29.5	24.5	12.98