

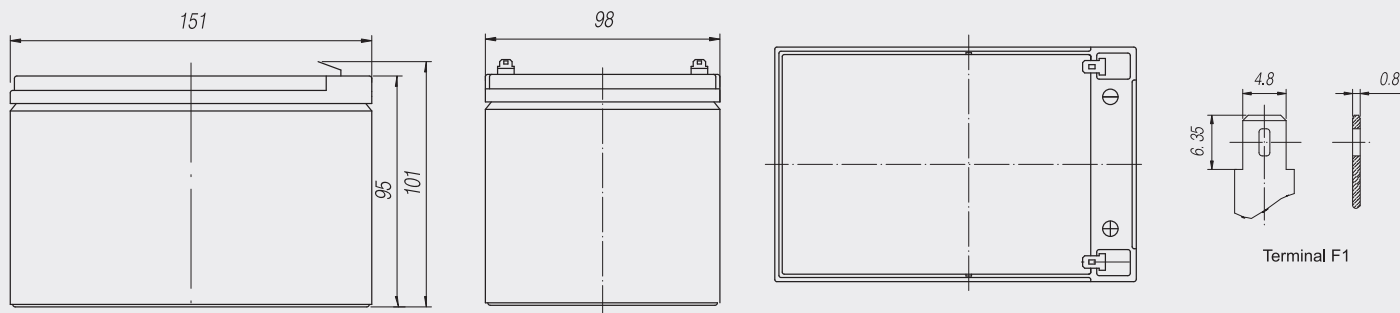


VRLA Battery **SPA 12-12**

Specifications	Nominal Voltage 12 V					
	Rated Capacity (25 °C)	20hr Rate (1,80V/cell)	10hr Rate (1,80V/cell)	5hr Rate (1,70V/cell)	1hr Rate (1,60V/cell)	
		12 Ah	11,2 Ah	9,60 Ah	7,75 Ah	
	Dimensions (mm) & Weight (kg)	Length	Width	Height	Overall Height	Weight
		151mm	98mm	95mm	101mm	3,90kg
	Number / Type of Terminals	2 / F1				

Technical Characteristics

Design Life at 20°C	5 years	
Eurobat Classification	Standard Commercial	
Internal Resistance (Fully charged - 25°C)	17 mΩ	
Short-circuit current	600 A	
Max Charging Current	4,8 A	
Min safe end Discharge Voltage	1,60 V/cell	
Self discharge per month at 20°C	3%	
Recommended Charging Voltage at 20°C	Stand-by use (V/cell): 2,25 to 2,30	Cycle use (V/cell): 2,40 to 2,50
Container Material	ABS-UL94 HB	
Electrolyte Type	Sulfuric Acid	
Type of plates / Alloy	Flat plates / Lead-Calcium-Tin alloy	
Type of Separator	Absorbant Glass Mat	
Valve Type / Operational Pressure	Rubber / 1-3 psi (70-200 mbar)	
Operating Temperature Range	-20 to +50°C	
Storage time at 20°C	9 months	



SYSTEMS SUNLIGHT S.A.

Headquarters

23rd Km. N.R. Athens - Lamia,
145 65 Agios Stefanos - Attica, Greece
Tel.: +30 210 624 5400,
Fax: +30 210 624 5409

Manufacturing Plant

Neo Olvio
67 200 Xanthi, Greece
Tel.: +30 25410 48100,
Fax: +30 25410 95446

 **SUNLIGHT**
creating energy

www.sunlight.gr