

VRLA Battery **SPA 12-9**

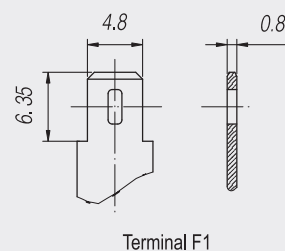
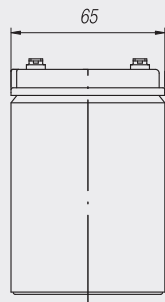
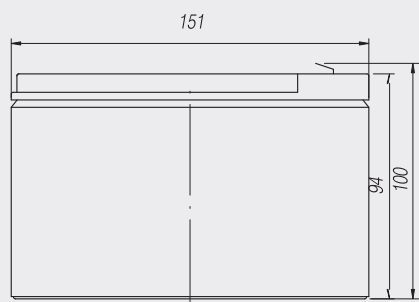
Specifications

Nominal Voltage 12 V

Rated Capacity (25 °C)	20hr Rate (1,80V/cell)	10hr Rate (1,80V/cell)	5hr Rate (1,70V/cell)	1hr Rate (1,60V/cell)	
	9 Ah	8,2 Ah	7,75 Ah	5,80 Ah	
Dimensions (mm)	Length	Width	Height	Overall Height	Weight
& Weight (kg)	151mm	65mm	94mm	100mm	2,8kg
Number / Type of Terminals	2 / F1				

Technical Characteristics

Design Life at 20°C	5 years
Eurobat Classification	Standard Commercial
Internal Resistance (Fully charged - 25°C)	18 mΩ
Short-circuit current	450 A
Max Charging Current	3,6 A
Min safe end Discharge Voltage	1,60 V/cell
Self discharge per month at 20°C	3%
Recommended Charging Voltage at 20°C	Stand-by use (V/cell): 2,25 to 2,30 Cycle use (V/cell): 2,40 to 2,50
Container Material	ABS-UL94 HB
Electrolyte Type	Sulfuric Acid
Type of plates / Alloy	Flat plates / Lead-Calcium-Tin alloy
Type of Separator	Absorbant Glass Mat
Valve Type / Operational Pressure	Rubber / 1-3 psi (70-200 mbar)
Operating Temperature Range	-20 to +50°C
Storage time at 20°C	9 months



SYSTEMS SUNLIGHT S.A.

Headquarters

23rd Km. N.R. Athens - Lamia,
145 65 Agios Stefanos - Attica, Greece
Tel.: +30 210 624 5400,
Fax: +30 210 624 5409

Manufacturing Plant

Neo Olvio
67 200 Xanthi, Greece
Tel.: +30 25410 48100,
Fax: +30 25410 95446