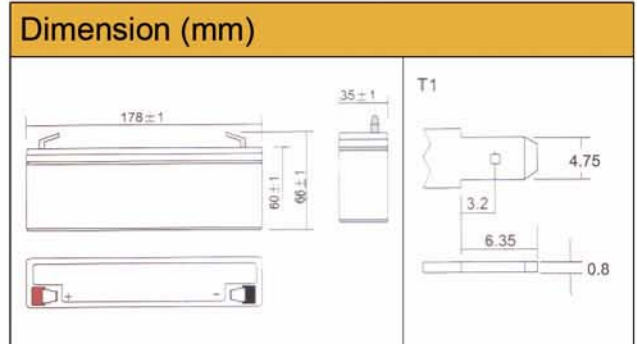




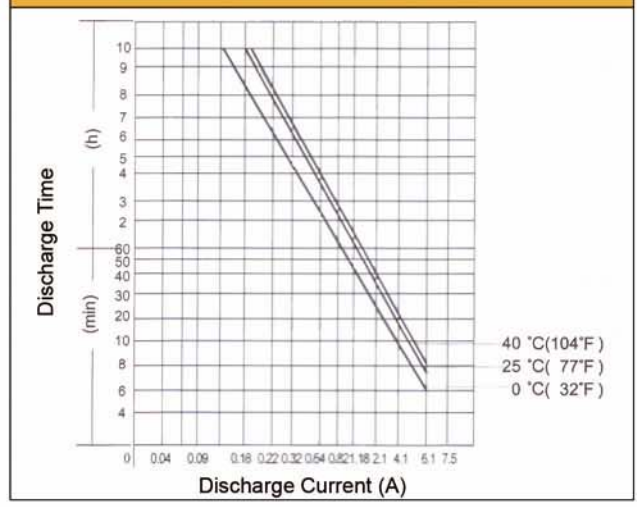
valve regulated  
sealed lead acid type  
rechargeable battery

**+** **-** sunbattery®

# SB 12-2.1 (12V. 2.1AH)

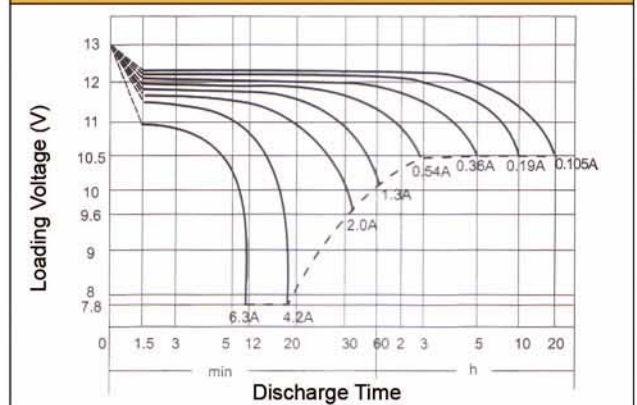


### Discharging Current & Discharge Duration Time



Physical Specification		
Nominal Voltage Nominal Capacity (20HR)		12V 2.1AH
Dimension	Length	178 ± 1mm (7.00 inches)
	Width	35 ± 1mm (1.38 inches)
	Container Height	60 ± 1mm (2.36 inches)
	Total Height (with Terminal)	66 ± 1mm (2.60 inches)
Weight		Approx 1.0kg (2.20lbs)
Standart Terminal		T1 (standard)

### Discharge Characteristics (25° C,77°F)



Electrical Specification					
Rated Capacity	20 hour rate (105 mA)	2.1AH	Constant-Voltage Charge	Cycle	Initial Charging Current less than 0.57A. Voltage 14.4 V- 15.0V at 25°C (77°F) Temp. Corfficient -30mV/°C
	10 hour rate (190 mA)	1.9AH			
	5 hour rate (360 mA)	1.8AH			
	1 hour rate (1.30 A)	1.30AH			
Capacity affected by Temperature	15 minute rate (1.03A)	1.03AH	Standby	No limit on Initial Charging Current Voltage 13.5 V~13.8 V at 25°C (77°F) Temp. Corfficient -20mV/°C	
	40°C (104°F)	103%			
	25°C (77°F)	100%			
	0°C (32°F)	86%			

### Constant Current (Amp) and Constant Power (Watt) Discharge Table (25°C,77°F)

Amp Watt/Cell	Time(Minute) Final Voltage	5	10	15	20	30	45	60	120	180	300	600	1200
		1.3	1.3	1.3	1.3	1.6	1.6	1.67	1.7	1.75	1.75	1.75	1.8
A / Batt		8.40	5.99	4.12	3.36	2.42	1.68	1.30	0.74	0.54	0.36	0.19	0.105
W / Cell		15.04	11.26	7.83	6.57	4.75	3.34	2.58	1.46	1.06	0.71	0.38	0.21