

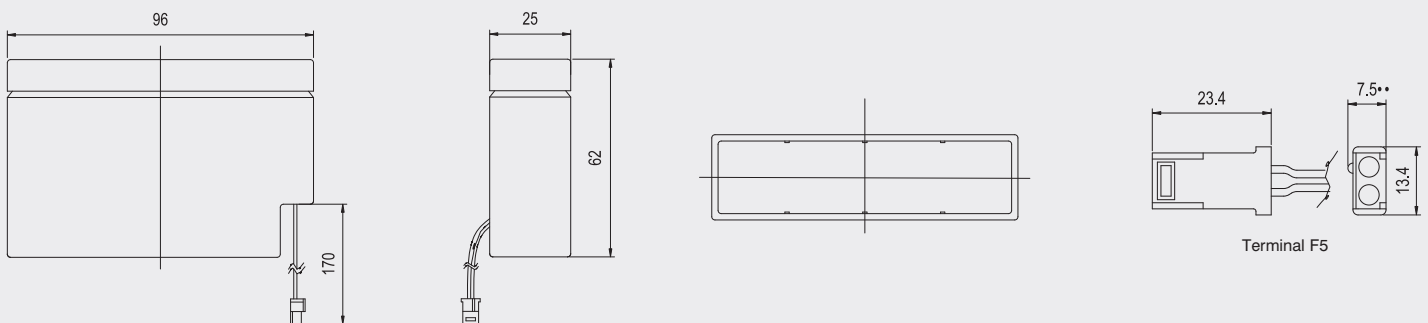


VRLA Battery **SPA 12-0.7**

| | | | | | | |
|-----------------------|--|-------------------------------|-------------------------------|------------------------------|------------------------------|---------------|
| Specifications | Nominal Voltage | 12 V | | | | |
| | Rated Capacity (25 °C) | 20hr Rate (1,80V/cell) | 10hr Rate (1,80V/cell) | 5hr Rate (1,70V/cell) | 1hr Rate (1,60V/cell) | |
| | | 0,7 Ah | 0,6 Ah | 0,55 Ah | 0,33 Ah | |
| | Dimensions (mm) & Weight (kg) | Length | Width | Height | Overall Height | Weight |
| | | 96mm | 25mm | 62mm | 62mm | 0,34kg |
| | Number / Type of Terminals | F5 | | | | |

Technical Characteristics

| | |
|---|---|
| Design Life at 20°C | 5 years |
| Eurobat Classification | Standard Commercial |
| Internal Resistance (Fully charged - 25°C) | 220 mΩ |
| Short-circuit current | 40 A |
| Max Charging Current | 0,3 A |
| Min safe end Discharge Voltage | 1,60 V/cell |
| Self discharge per month at 20°C | 3% |
| Recommended Charging Voltage at 20°C | Stand-by use (V/cell): 2,25 to 2,30 Cycle use (V/cell): 2,40 to 2,50 |
| Container Material | ABS-UL94 HB |
| Electrolyte Type | Sulfuric Acid |
| Type of plates / Alloy | Flat plates / Lead-Calcium-Tin alloy |
| Type of Separator | Absorbant Glass Mat |
| Valve Type / Operational Pressure | Rubber / 1-3 psi (70-200 mbar) |
| Operating Temperature Range | -20 to +50°C |
| Storage time at 20°C | 9 months |



SYSTEMS SUNLIGHT S.A.

Headquarters

23rd Km. N.R. Athens - Lamia,
145 65 Agios Stefanos - Attica, Greece
Tel.: +30 210 624 5400,
Fax: +30 210 624 5409

Manufacturing Plant

Neo Olvio
67 200 Xanthi, Greece
Tel.: +30 25410 48100,
Fax: +30 25410 95446